



ILLUSTRATED PARTS BOOK

Front Tine Tiller

MODELS: PFTT140BE, PFTT150B



Table of Contents

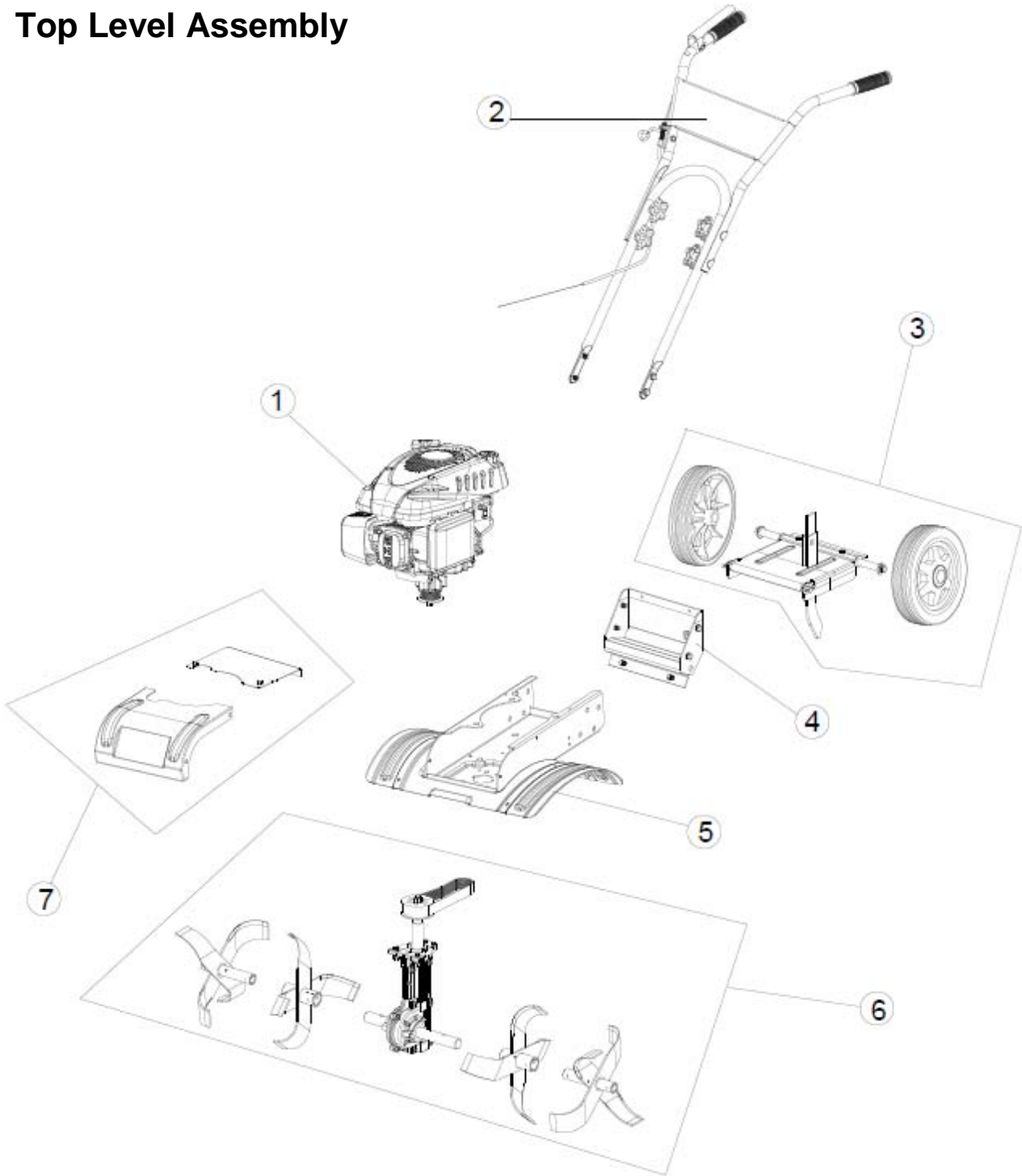
Top Level Assembly.....	3
Engine – Top Level Assembly.....	4
Handle Assembly.....	5-6
Swing Plate Assembly.....	7
Swing Plate Mount Assembly.....	8
Base Assembly.....	9-10
Tine and Transmission Assembly.....	11-12
Inspection Plates.....	13
Warning and Safe Operation Labels.....	14-15

Kohler CARB Engine (A200622)-Consult Your Local Supplier

RV140 Engine (A200362)

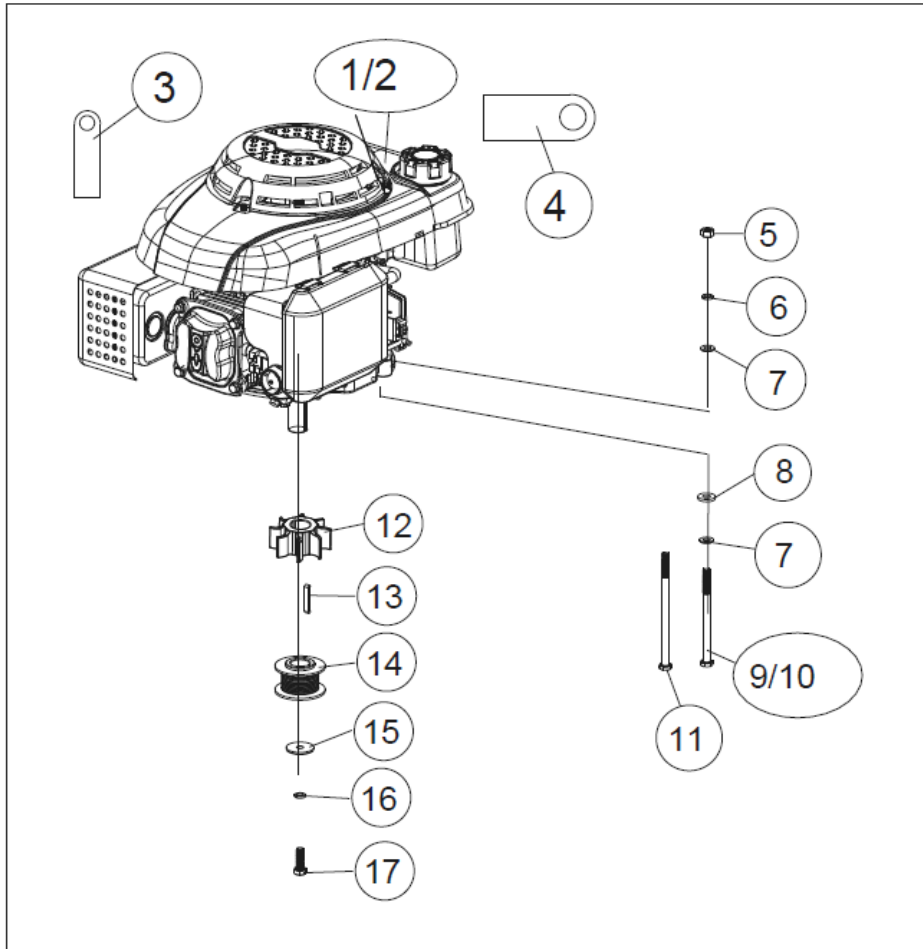
Cylinder Head.....	16
Short Block Assembly.....	17-18
Camshaft.....	19
Fan Shield.....	20
Recoil Starter.....	21
Carburetor.....	22-23
Flywheel / Ignition.....	24
Air Cleaner.....	25
Control.....	26
Muffler.....	27
Fuel Tank.....	28
Decals.....	29

Top Level Assembly



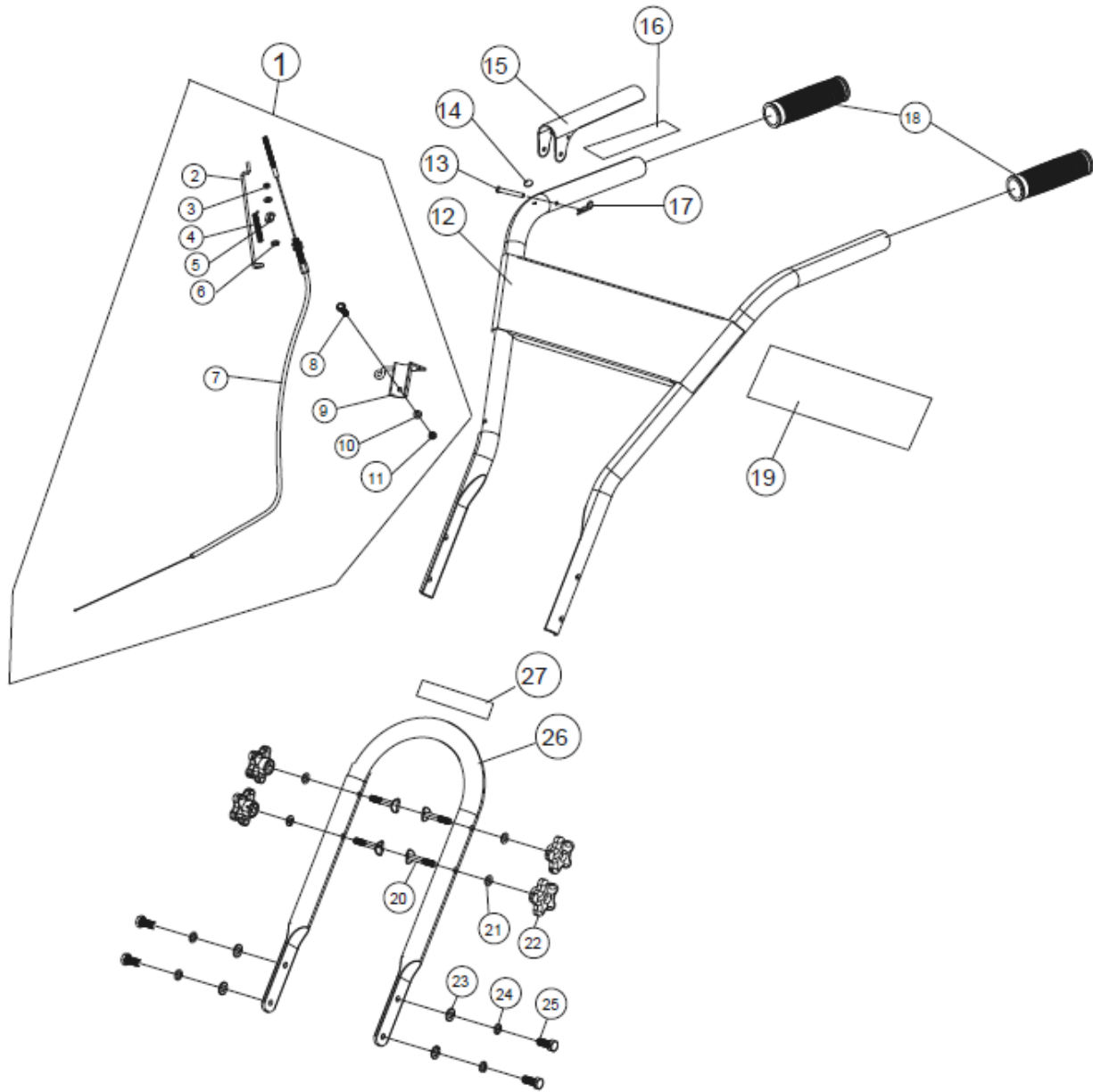
REF. NO.	DESCRIPTION	PART NO.	RQD
1	Engine-Top Level Assembly	See Page 4	1
2	Handle Assembly	See Page 5	1
3	Swing Plate Assembly	See Page 7	1
4	Swing Plate Mount Assembly	See Page 8	1
5	Base Assembly	See Page 9	1
6	Tines & Transmission Assembly	See Page 11	1
7	Inspection Plates	See Page 13	1

Engine – Top Level Assembly



REF. NO.	DESCRIPTION	PART NO.	RQD
1	Engine, RATO 139cc Vertical	A200362	1
2	Engine, Kohler (Carb) Vertical	A200363	1
3	Oil Hang Tag - Oil Dipstick	<i>Reference Only</i>	1
4	Oil Hang Tag - Fuel Tank	<i>Reference Only</i>	1
5	Nut, M8	A200524	3
6	Spring Washer, M8	A200514	3
7	Flat Washer, M8	A200506	6
8	Spacer, Engine Mounting	A200664	3
9	Bolt, M8x130	A200655	1
10	Bolt, M10x130 (Carb Engine)	A200812	1
11	Bolt, M8x150	A200656	2
12	Fan, Pulley	A200714	1
13	Key, Engine	A200715	1
14	Engine Pulley	A200716	1
15	Spacer, 10x32x4	A200717	1
16	Spring Washer, M10	A200531	1
17	Bolt, 3/8-24	A200718	1

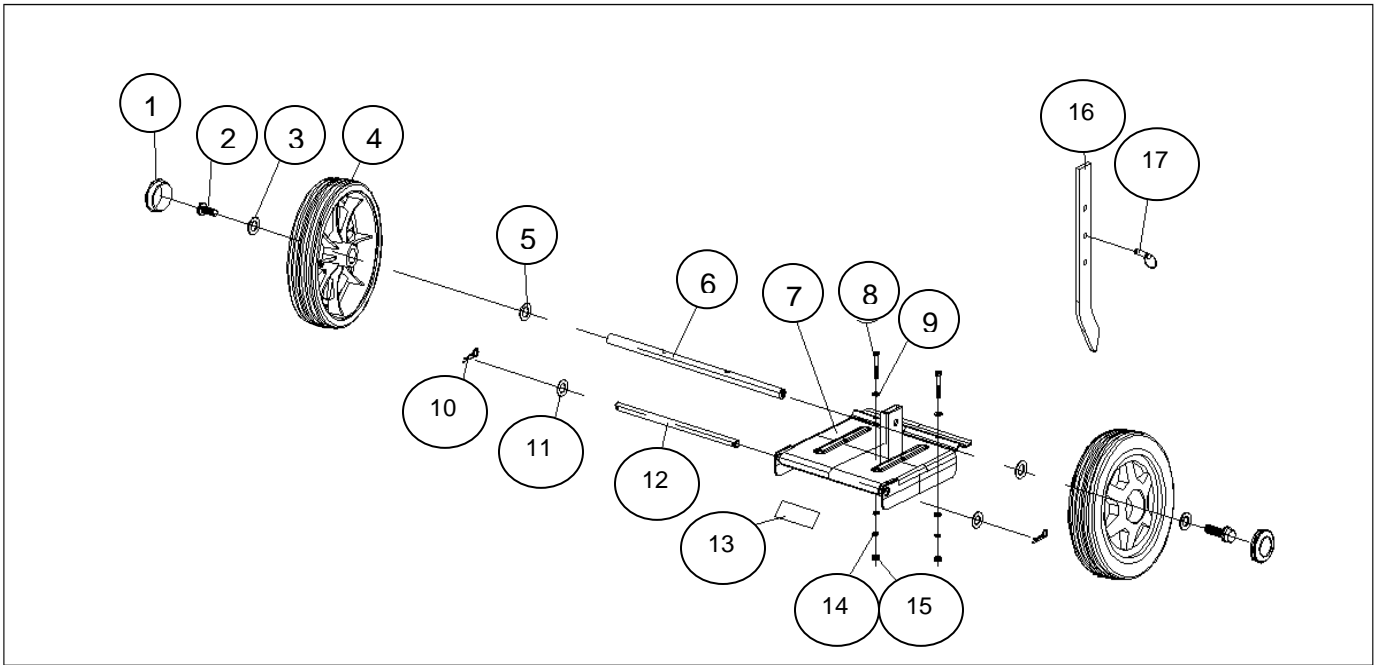
Handle Assembly



Handle Assembly

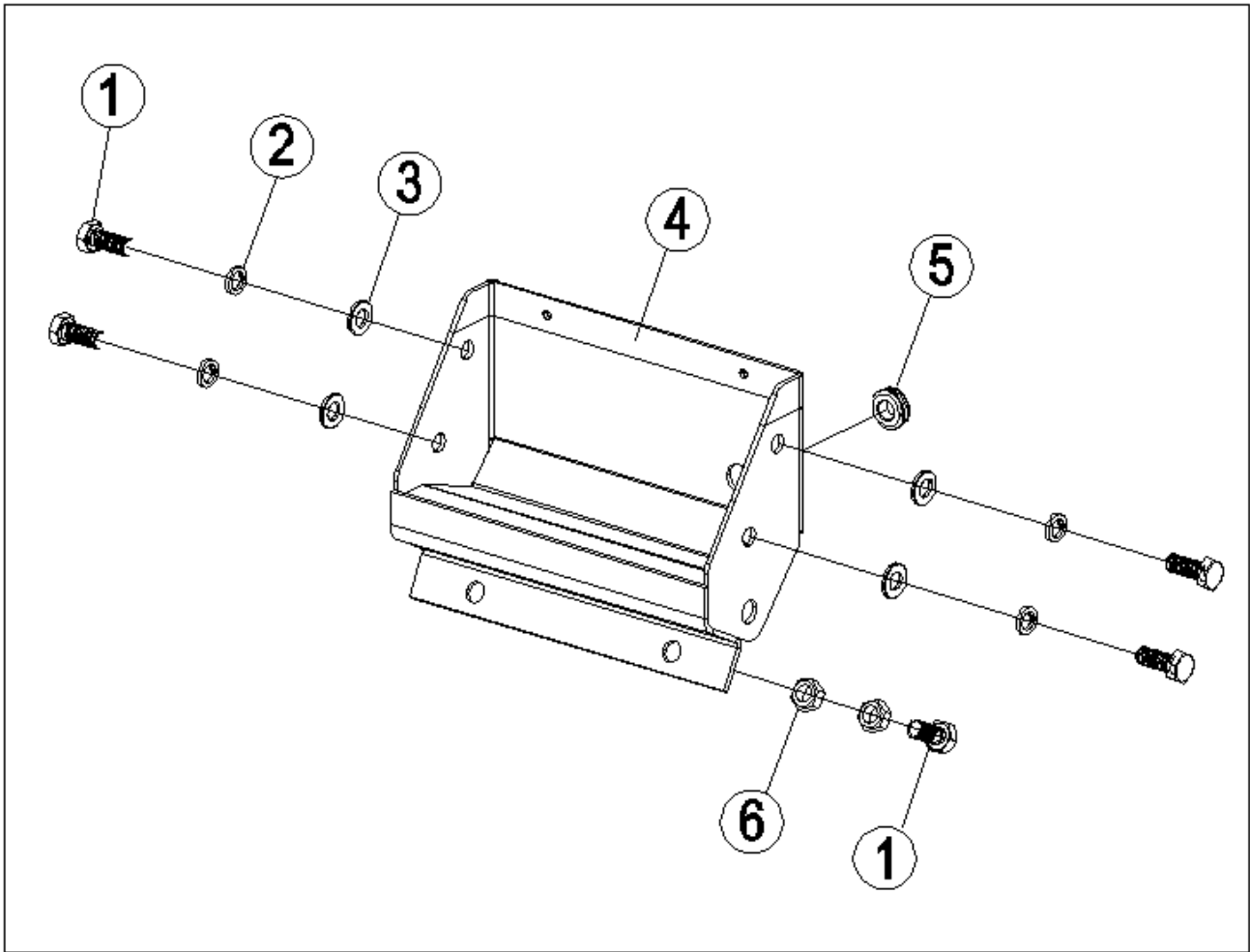
REF. NO.	DESCRIPTION	PART NO.	RQD
1	Kit, Clutch Cable Control-25mm Tube	A200364	1
2	Rod, Clutch	A200701	1
3	Locknut, M5	A200500	1
4	Spring, Clutch Cable	A200503	1
5	Bracket, Clutch Rod	A200501	1
6	Flat Washer, M5	A200502	2
7	Clutch Cable	A200707	1
8	Bolt, M6x45	A200488	1
9	Bracket, Clutch Cable-25mm Tube	A200365	1
10	Flat Washer, M6	A200496	1
11	Lock Nut, M6	A200497	1
12	Upper Handle, 25mm Tubing	A200366	1
13	Pin, 6x40	A200700	1
14	Rubber Spacer, Clutch Lever	A200490	1
15	Clutch Lever-25mm Tube	A200367	1
16	Decal, Clutch Control	A200947	1
17	Cotter Key, 2x37	A200671	1
18	Grip, Handle-25mm Tube	A200369	2
19	Decal, Brand Label - Powermate	<i>Reference Only</i>	1
20	Bolt, Handle-25mm Tube	A200487	4
21	Flat Washer, M8	A200506	4
22	Knob, Handle	A200486	4
23	Flat Washer, M10	A200518	4
24	Spring Washer, M0	A200531	4
25	Bolt, M10x25	A200539	4
26	Handle, Lower-25mm Tube	A200371	1
27	Decal, Lower Handle	A200945	1

Swing Plate Assembly



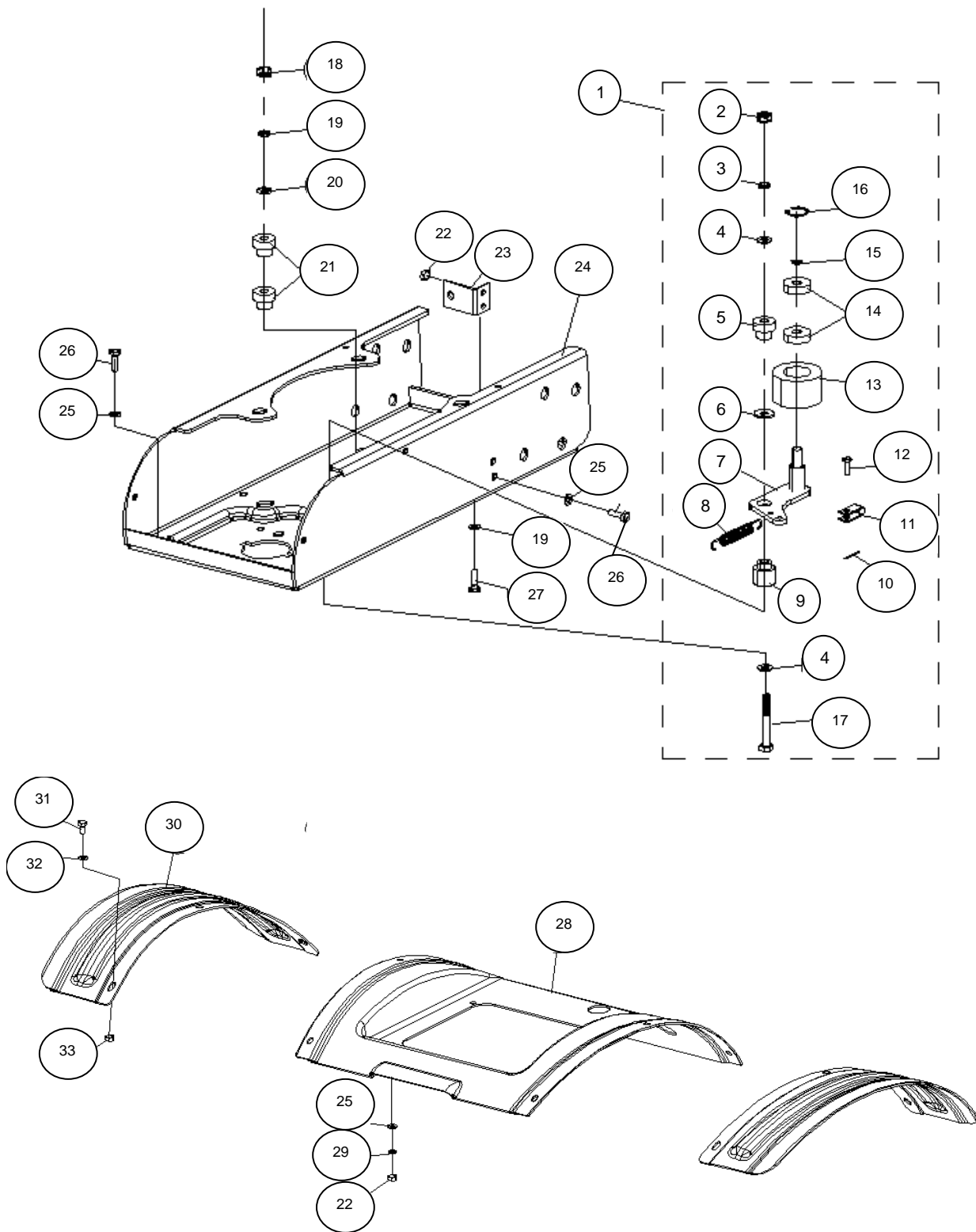
REF. NO.	DESCRIPTION	PART NO.	RQD
1	Hubcap, 8" Wheel	A200373	2
2	Flange Bolt, M8x12	A200374	2
3	Flat Washer, M8	A200506	2
4	Wheel, 8 Inch	A200375	2
5	Flat Washer, M14	A200688	2
6	Axle, Wheel - Threaded	A200376	1
7	Swing Plate	A200692	1
8	Bolt, M8x30	A200545	2
9	Flat Washer, M8	A200506	4
10	Cotter Key, 2x37	A200671	3
11	Flat Washer, M12	A200689	2
12	Axle, Swing Plate	A200691	1
13	Decal, Pinch Point	A200942	1
14	Spring Washer, M8	A200514	2
15	Lock Nut, M8	A200524	2
16	Drag Bar, Three Hole	A200378	1
17	Pin, Ball Detent	A200379	1

Swing Plate Mount Assembly



REF. NO.	DESCRIPTION	PART NO.	RQD
1	Bolt, M10x25	A200539	6
2	Spring Washer, M10	A200531	4
3	Flat Washer, M10	A200518	4
4	Swing Plate Mounting Frame	A200667	1
5	Grommet	A200569	1
6	Nut, M10	A200532	4

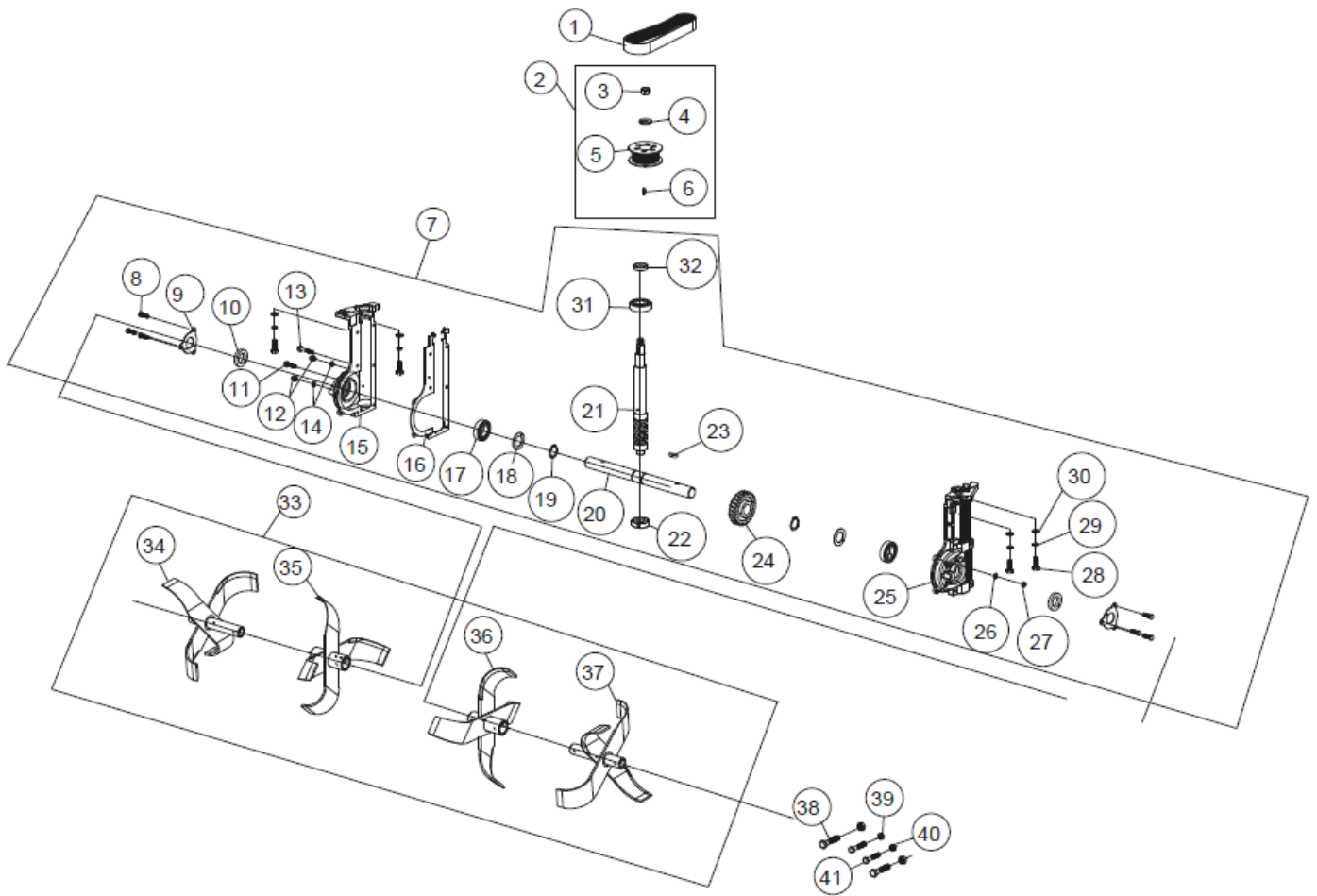
Base Assembly



Base Assembly

REF. NO.	DESCRIPTION	PART NO.	RQD
1	Kit, Tension Idler	A200826	1
2	Lock Nut, M8	A200524	1
3	Spring Washer, M8	A200514	1
4	Flat Washer, M8	A200506	2
5	Bushing, Belt	A200658	1
6	Flat Washer, 8x22x2	A200513	1
7	Tensioner Arm	<i>Reference Only</i>	1
8	Spring, Clutch	A200676	1
9	Bushing, Tensioner Arm	A200677	1
10	Cotter Key, 1.5x20	A200678	1
11	Clip, Clutch Cable	A200520	1
12	Pin, 6x16	A200521	1
13	Tensioner	A200681	1
14	6200 Ball Bearing	<i>Reference Only</i>	2
15	Circlip, 10	<i>Reference Only</i>	1
16	Circlip, 30	<i>Reference Only</i>	1
17	Bolt, M8x60	A200625	1
18	Lock Nut, M8	A200524	1
19	Spring Washer, M8	A200514	2
20	Flat Washer, M8	A200506	1
21	Bushing, Belt	A200658	2
22	Locknut, M6	A200497	2
23	Bracket, Clutch Cable	A200665	1
24	Mounting Frame, Curved	A200380	1
25	Flat Washer, M6	A200496	10
26	Bolt, M6x18	A200654	6
27	Bolt, M8x50	A200652	1
28	Tine Shield, Curved	A200381	1
29	Spring Washer, M6	A200561	4
30	Shield, Extension	A200383	2
31	Bolt, M6x12	A200685	6
32	Flat Washer, M6	A200496	6
33	Locknut, M6	A200497	6

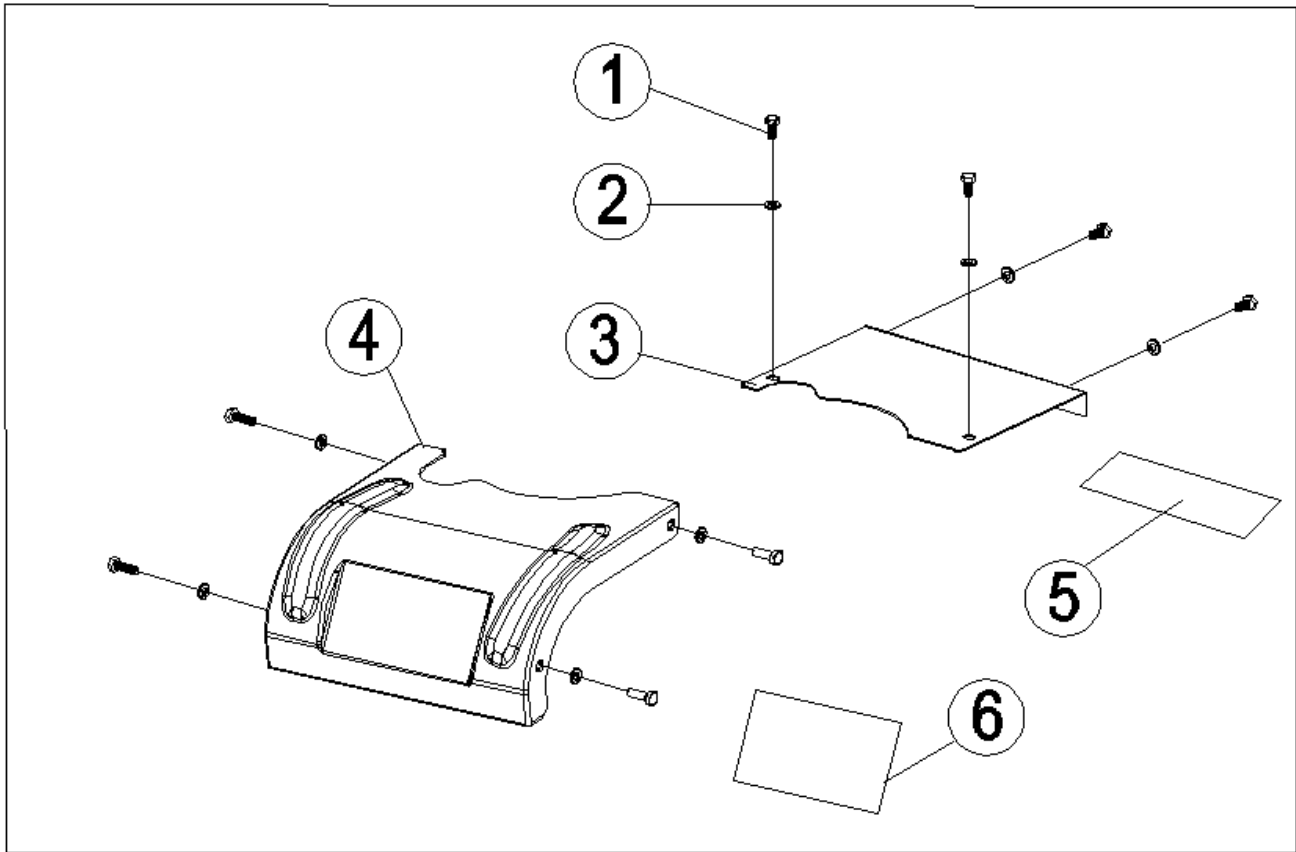
Tine and Transmission Assembly



Tine and Transmission Assembly

REF. NO.	DESCRIPTION	PART NO.	RQD
1	Drive Belt, 10PJ508	A200659	1
2	Kit, Transmission Pulley	A200822	1
3	Lock Nut, M12	A200660	1
4	Flat Washer, 12x28x3	A200661	1
5	Pulley, Transmission	A200662	1
6	Key, 4x6.5x16	A200663	1
7	Kit, Transmission Assembly	A200829	1
8	Hex Bolt, M6x12	A200619	6
9	Gear Box Seal Cover	A200620	2
10	Transmission Seal 25x40x7	A200621	2
11	Hex Flange Bolt, M6x25	<i>Reference Only</i>	4
12	Hex Flange Bolt, M10x14	<i>Reference Only</i>	2
13	Hex Flange Bolt, M6x35	<i>Reference Only</i>	4
14	Flat Washer, M10	<i>Reference Only</i>	2
15	Housing, Left Gear Box	<i>Reference Only</i>	1
16	Gear Box Gasket	<i>Reference Only</i>	1
17	Ball Bearing 6005, Gear Box	<i>Reference Only</i>	2
18	Washer, Gear Box	<i>Reference Only</i>	2
19	Circlip, 25	<i>Reference Only</i>	2
20	Tine Shaft	<i>Reference Only</i>	1
21	Worm Shaft	<i>Reference Only</i>	1
22	Bearing 30203, Gear Box	<i>Reference Only</i>	1
23	Key 5x9x22, Gear Box	<i>Reference Only</i>	1
24	Worm Gear	<i>Reference Only</i>	1
25	Housing, Right Gear Box	<i>Reference Only</i>	1
26	Flat Washer, M6	<i>Reference Only</i>	1
27	Lock Nut, M6	<i>Reference Only</i>	1
28	Hex Flange Bolt, M8x25	<i>Reference Only</i>	1
29	Spring Washer, M8	<i>Reference Only</i>	4
30	Flat Washer, M8	<i>Reference Only</i>	4
31	6204 Ball Bearing	<i>Reference Only</i>	1
32	30203 Bearing	<i>Reference Only</i>	1
33	Kit, Right & Left Tine	A200827	1
34	Left Tine, Outside	A200615	1
35	Left Tine, Inside	A200617	1
36	Right Tine, Inside	A200640	1
37	Right Tine, Outside	A200642	1
38	Bolt, M8x45	A200533	2
39	Lock Nut, M8	A200524	2
40	Bolt, M10x45	A200578	2
41	Lock Nut, M10	A200532	2

Inspection Plates



REF. NO.	DESCRIPTION	PART NO.	RQD
1	Bolt, M6x12	A200685	8
2	Flat Washer, M6	A200496	8
3	Rear Inspection Plate	A200686	1
4	Front Inspection Plate, Curved	A200384	1
5	Decal, Gear Drive	<i>Reference Only</i>	1
6	Decal, Powermate Brand	<i>Reference Only</i>	1

Warning and Safe Operation Labels

1

⚠ WARNING

TO AVOID SERIOUS INJURY

- Read the Operator's Manual
- Know location and functions of all controls.
- Keep all safety devices and shields in place and working.
- Never allow children or uninstructed adults to operate machine.
- Shut off engine before manually unclogging tines or making repairs.
- Keep bystanders away from machine.
- Keep away from rotating parts while engine is running.
- Use extreme caution when reversing / pulling the machine towards you.
- Gasoline is flammable and explosive.



2

⚠ WARNING



PINCH POINT
KEEP HANDS AND FINGERS AWAY

3

⚠ WARNING

Do not start engine unless all belt covers are attached. Keep hands, feet, and clothing away from moving belts and pulleys. Failure to comply could result in injury. See operator's manual for full safety instructions.

4



⚠ WARNING

KEEP HANDS, FEET AND CLOTHING AWAY FROM ROTATING TINES. CONTACT WITH ROTATING TINES MAY RESULT IN SERIOUS INJURY.

5

⚠ WARNING

FOR OUTDOOR USE ONLY

RISK OF FIRE. DO NOT ADD FUEL WHEN PRODUCT IS OPERATING. ALLOW ENGINE TO COOL COMPLETELY BEFORE REFUELING.
RISK OF ASPHYXIA/TION. USE THIS PRODUCT ONLY IN A WELL VENTILATED AREA.

6

⚠ WARNING

Refer to the Troubleshooting and Belt Tension Adjustment sections of the Operator's Manual if tines continue to rotate when the clutch lever is released or do not rotate when the clutch lever is depressed.



FOR SERVICE
800-737-2112
powermate.com

7



8

CLUTCH CONTROL

DISENGAGE

ENGAGE



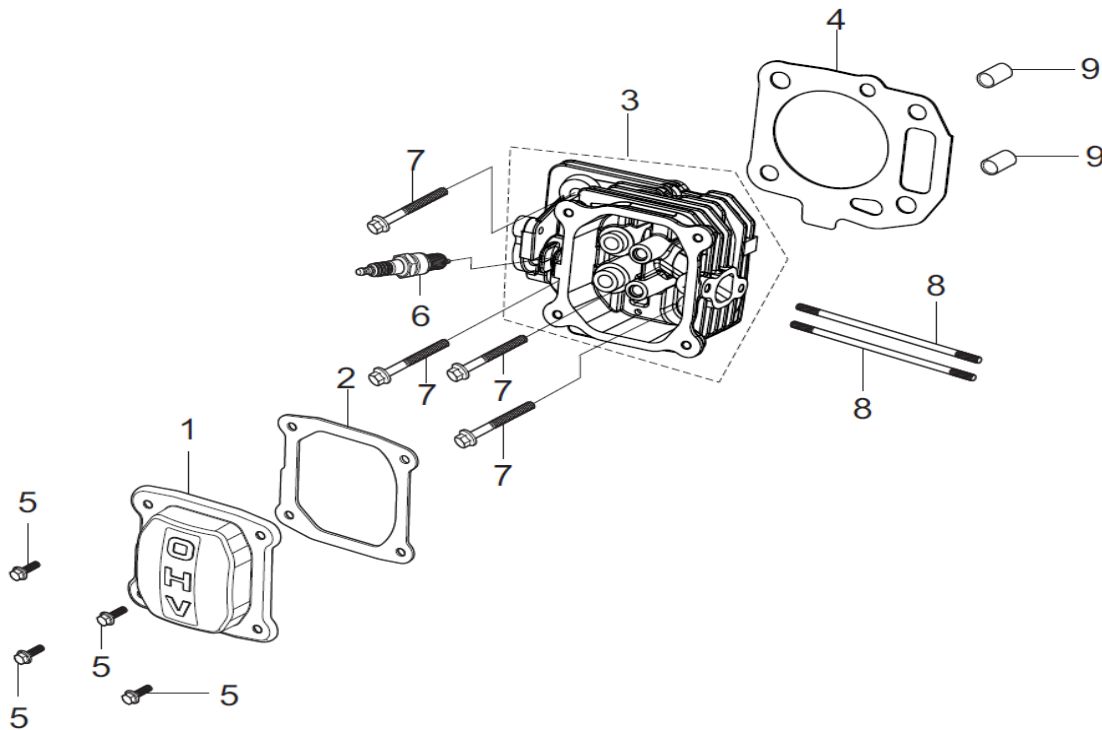
9

PLACE FREE HAND ON HANDLE BAR WHEN STARTING ENGINE

Warning and Safe Operation Labels – Cont.

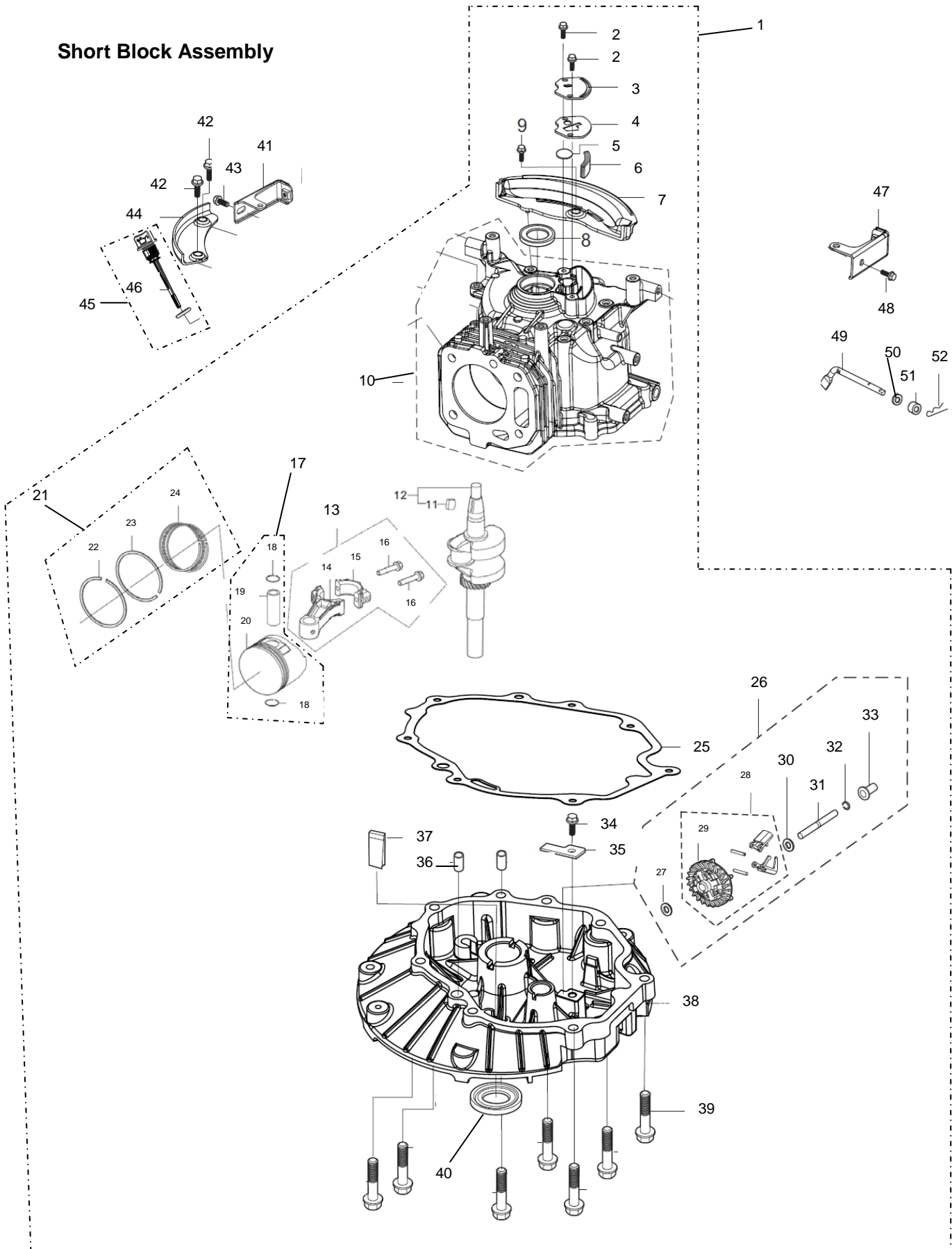
REF. NO.	DESCRIPTION	PART NO.	QTY
1	Decal, Safe Operation Warning	A201742	1
2	Decal, Swing Plate Pinch Point Warning	A200942	1
3	Decal, Belt Covers Warning	A201747	1
4	Decal, Rotating Tines Warning	A201744	2
5	Decal, Outdoor Use Only Warning	A201758	1
6	Decal, Belt Tension Adjustment Warning	A201738	1
7	Decal, Hot Surface Warning	A201755	1
8	Decal, Clutch Control	A200947	1
9	Decal, Hand Placement While Starting	A200945	1
10	Kit, Warning and Safe Operation Decal (# 1-9)	A201871	1

Cylinder Head



REF. NO.	DESCRIPTION	PART NO.	RQD
1	Cover, Cylinder Head	A201566	1
2	Gasket, Cylinder Head Cover	A201567	1
3	Head, Cylinder	A201568	1
4	Gasket, Cylinder Head	A201569	1
5	Flange Bolt, Cylinder Cover	A201570	4
6	Plug, Spark (Torch F7TC, NGK BPGES, Champion RN9YC4)	A201233	1
7	Flange Bolt, Cylinder Head	A201571	4
8	Bolt, Stud	A201572	2
9	Pin, Dowel	A201573	2

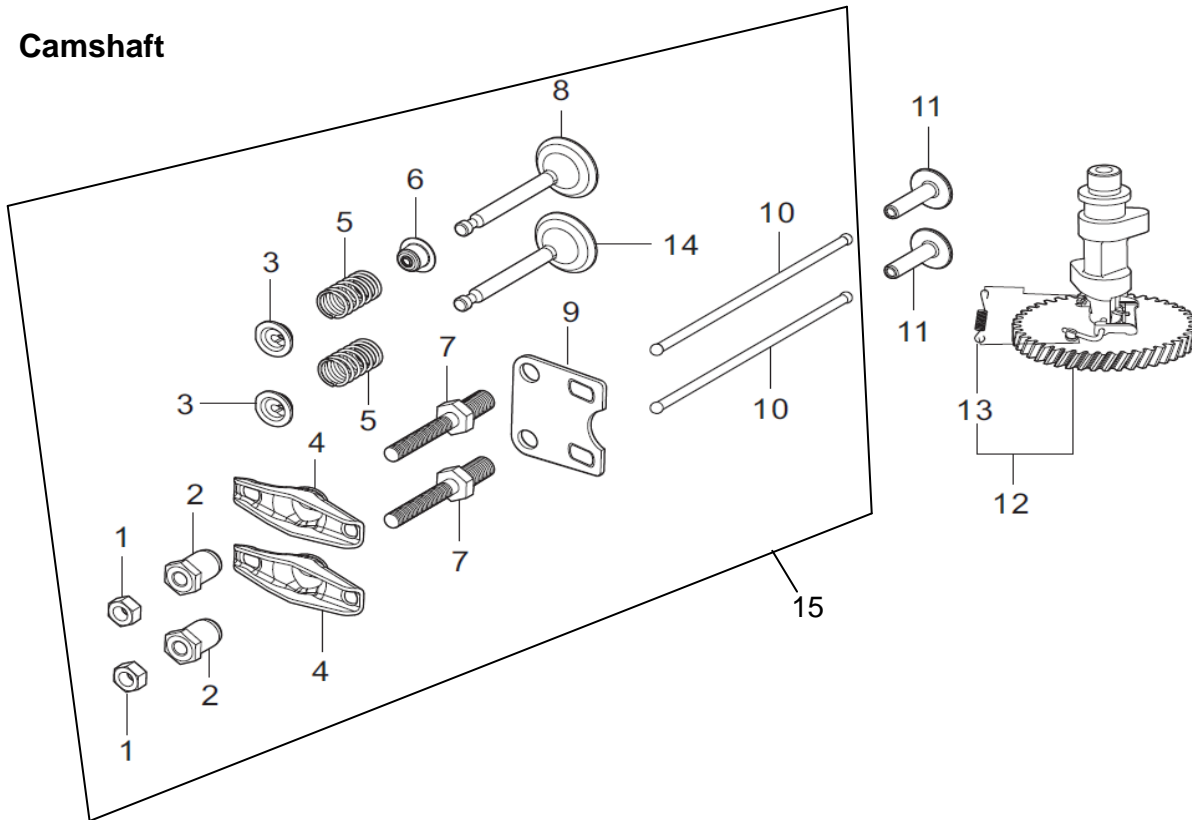
Short Block Assembly



Short Block Assembly

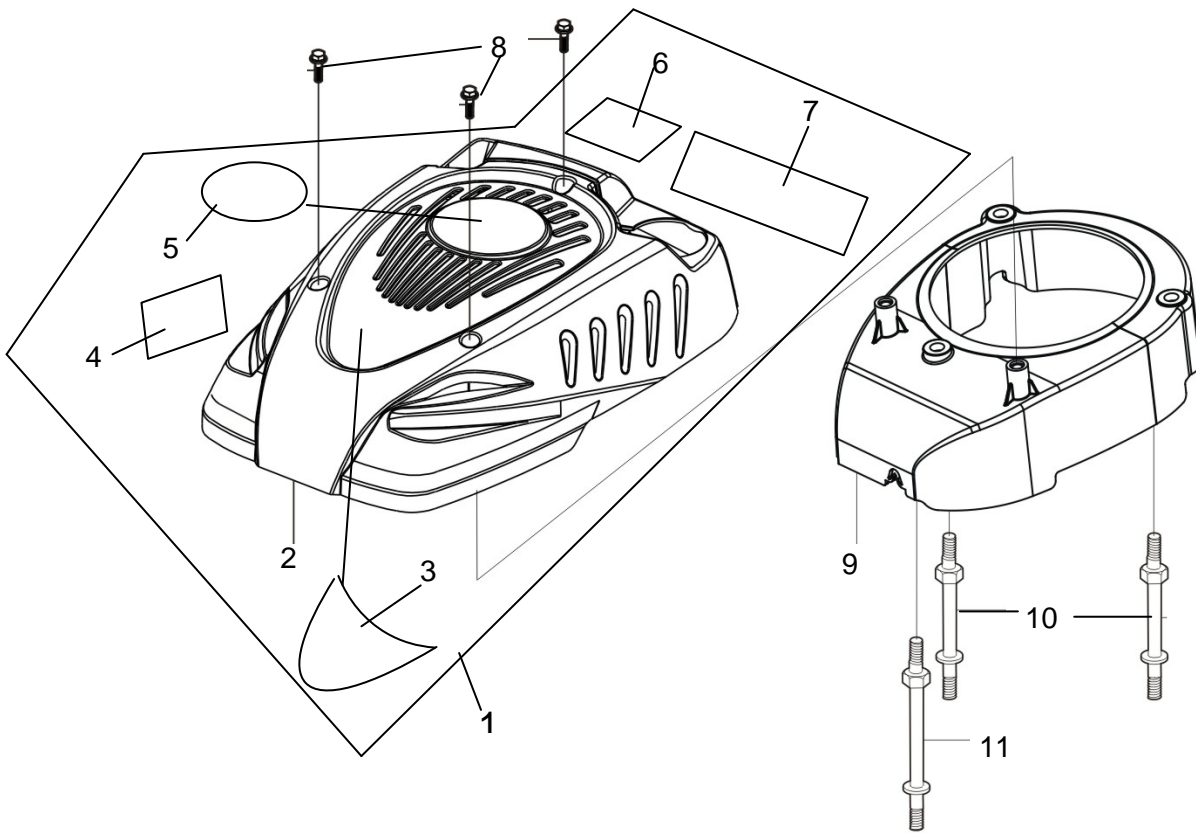
REF. NO.	DESCRIPTION	PART NO.	RQD
1	Kit, Short Block (includes # 2-40)	A202153	1
2	Bolt, Breather Bracket	A201583	2
3	Plate, Breather Cover	A201584	1
4	Gasket, Breather Cover	A201585	1
5	Retainer, Breather	A201586	1
6	Element, Breather	A201587	1
7	Shield, Crankcase Rear	A201588	1
8	Seal, Oil	A201581	1
9	Bolt, Rear Shield	A201582	1
10	Sub Assembly, Crankcase	<i>Reference Only</i>	1
11	Key, Flywheel	A201618	1
12	ASM, Crankshaft	<i>Reference Only</i>	1
13	ASM, Connecting Rod	A201615	1
14	Rod, Connecting	<i>Reference Only</i>	1
15	Cap, Rod	<i>Reference Only</i>	1
16	Bolt, Rod	<i>Reference Only</i>	2
17	Kit, Piston (includes # 18-20)	A202154	1
18	Clip, Piston Pin	<i>Reference Only</i>	2
19	Pin, Piston	<i>Reference Only</i>	1
20	Piston	<i>Reference Only</i>	1
21	Kit, Piston Ring (includes # 22-24)	A201611	1
22	Ring, Piston – 1	<i>Reference Only</i>	1
23	Ring, Piston – 2	<i>Reference Only</i>	1
24	Ring Set, Oil	<i>Reference Only</i>	1
25	Gasket, Crankcase	A201592	1
26	ASM, Governor	A201607	1
27	Washer, Spacer	<i>Reference Only</i>	2
28	ASM, Governor Mechanism	<i>Reference Only</i>	1
29	Gear, Governor Drive	<i>Reference Only</i>	1
30	Washer, Spacer	<i>Reference Only</i>	2
31	Shaft, Governor	<i>Reference Only</i>	1
32	Clip, Retainer	<i>Reference Only</i>	1
33	Sleeve, Governor Actuator	<i>Reference Only</i>	1
34	Bolt, Governor Plate	A201596	1
35	Plate, Governor	A201597	1
36	Pin, Dowel	<i>Reference Only</i>	2
37	Rubber Bracket, Oil	<i>Reference Only</i>	1
38	Cover, Crankcase	<i>Reference Only</i>	1
39	Bolt, Flange	A201600	7
40	Seal, Oil	A201599	1
41	Bracket, Fuel Tank Right	A201580	1
42	Bolt, Side Shield Flange	A201578	2
43	Bolt, Right Tank Bracket	A201579	1
44	Shield, Crankcase Side	A201576	1
45	Sub Assembly, Oil Dipstick	A201577	1
46	Dipstick, Oil	<i>Reference Only</i>	1
47	Bracket, Fuel Tank Left	A201589	1
48	Bolt, Left Tank Bracket	A201590	1
49	Arm, Governor	A201591	1
50	Washer, 6x13x1	A201256	1
51	Seal, Oil 6x11x4	A201257	1
52	Pin, Governor	A201258	1

Camshaft



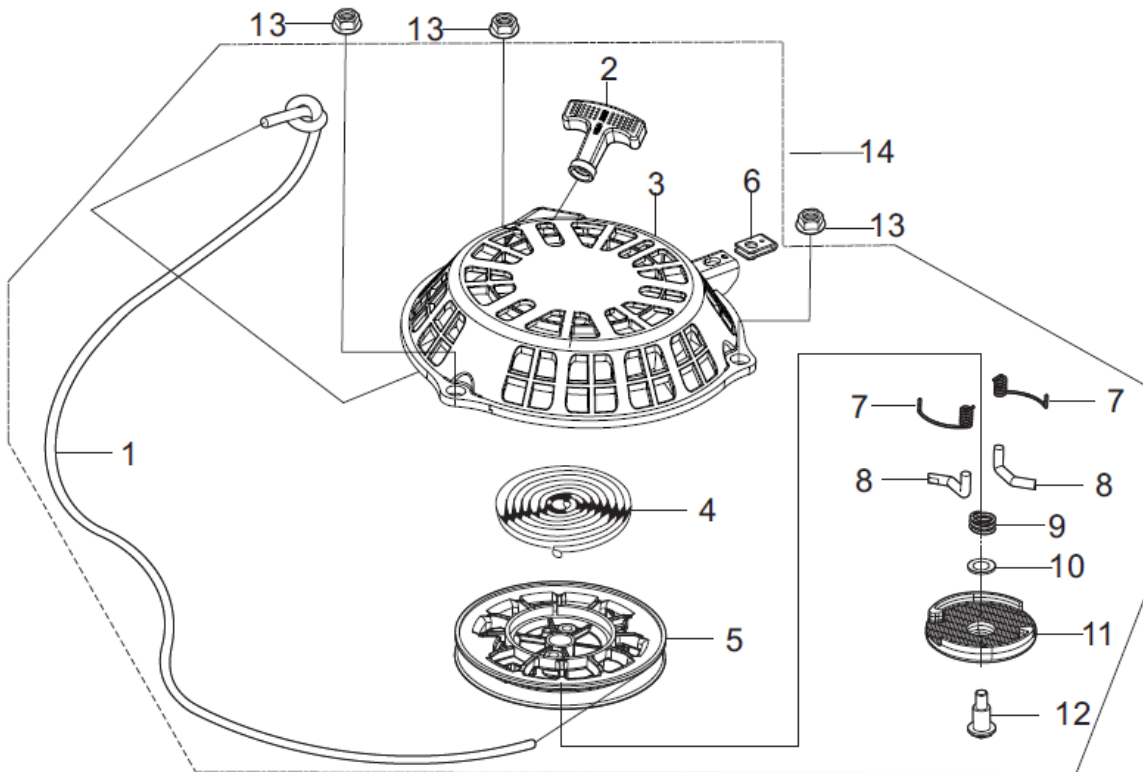
REF. NO.	DESCRIPTION	PART NO.	RQD
1	Nut, Valve Lock	<i>Reference Only</i>	2
2	Nut, valve Adjusting	<i>Reference Only</i>	2
3	Seat, Valve Spring	<i>Reference Only</i>	2
4	Valve, Rocker	<i>Reference Only</i>	2
5	Spring, Valve	<i>Reference Only</i>	2
6	Retainer, Valve Spring	<i>Reference Only</i>	1
7	Bolt, Valve Adjusting	<i>Reference Only</i>	2
8	Valve, Intake	<i>Reference Only</i>	1
9	Bracket, Valve	<i>Reference Only</i>	1
10	Rod, Camshaft	<i>Reference Only</i>	2
11	Lifter, Valve	A201630	2
12	ASM, Camshaft	A201631	1
13	Spring, Actuator	A201632	1
14	Valve, Exhaust	<i>Reference Only</i>	1
15	Kit, Valve	A201634	1

Fan Shield



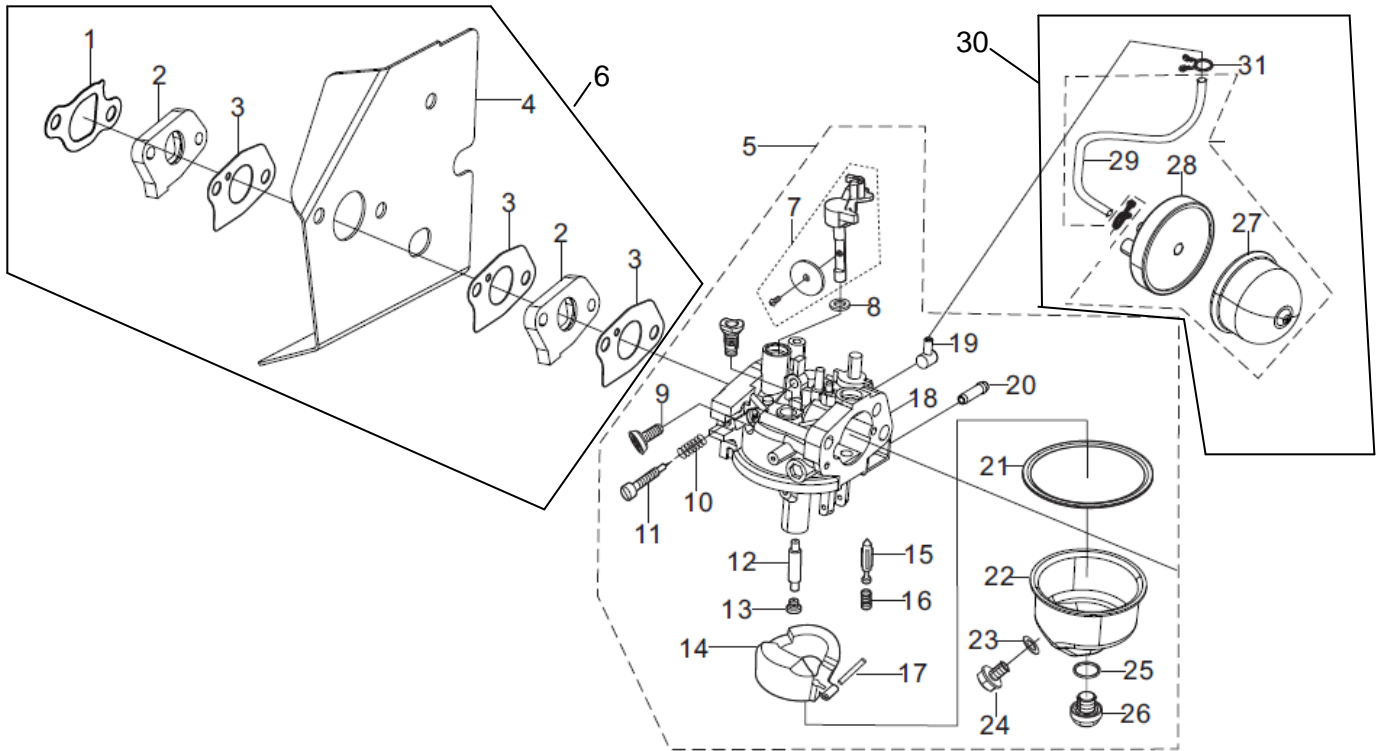
REF. NO.	DESCRIPTION	PART NO.	RQD
1	Kit, Engine Shroud	A201761	1
2	Shroud, Engine	<i>Reference Only</i>	1
3	Decal, Outdoor Use Only Warning	A201758	1
4	Decal, Spec	A201753	1
5	Decal, Hot Surface Warning	A201755	1
6	Decal, Brand	A201752	1
7	Decal, Fuel Usage	A201756	1
8	Bolt, Housing	A201637	3
9	Shroud, Recoil ASM	A201636	1
10	Stud, Recoil Shroud - 1	A201638	2
11	Stud, Recoil Shroud - 2	A201639	1

Recoil Starter



REF. NO.	DESCRIPTION	PART NO.	RQD
1	Rope, Starter	A201640	1
2	Handle, Starter	A201641	1
3	Housing, Starter	A201642	1
4	Spring, Starter	A201643	1
5	Sheave, Starter	A201644	1
6	Clip, Cable Cover	A201645	1
7	Pawl Spring, Starter	A201646	2
8	Pawl, Starter	A201647	2
9	Spring, Retention	A201648	1
10	Spacer	A201649	1
11	Cover, Drive	A201650	1
12	Bolt, Shoulder	A201651	1
13	Nut, Recoil Cover	A201652	3
14	ASM, Recoil Starter	A201653	1

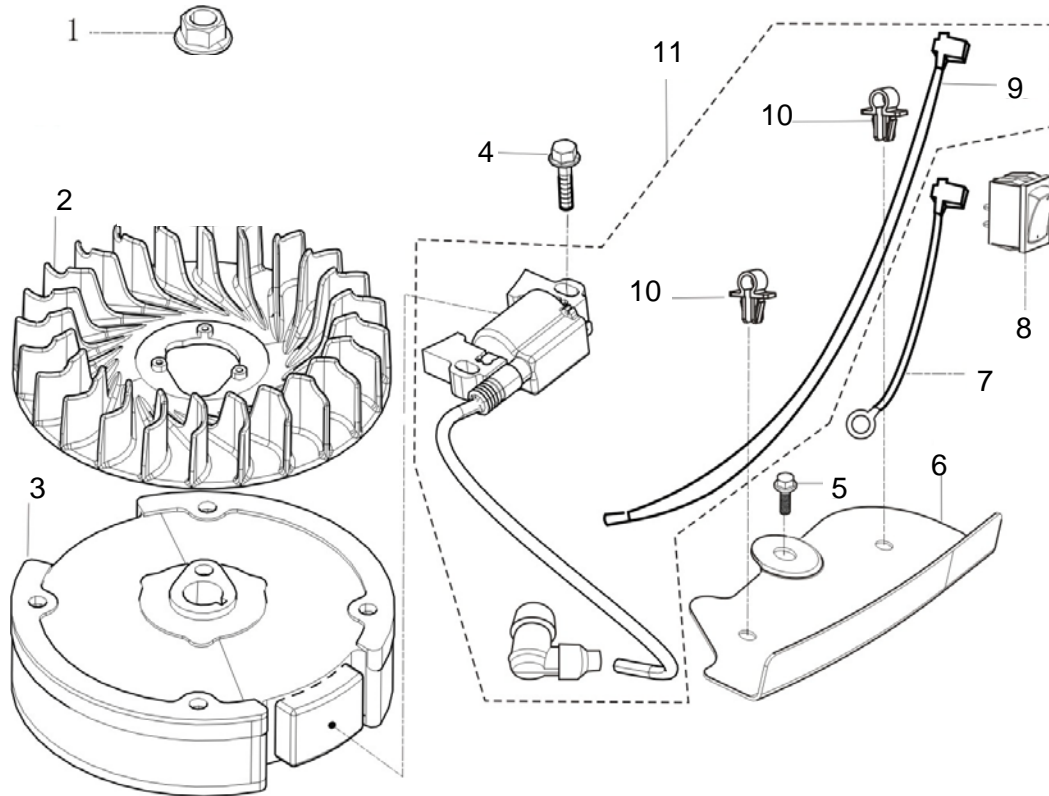
Carburetor



Carburetor

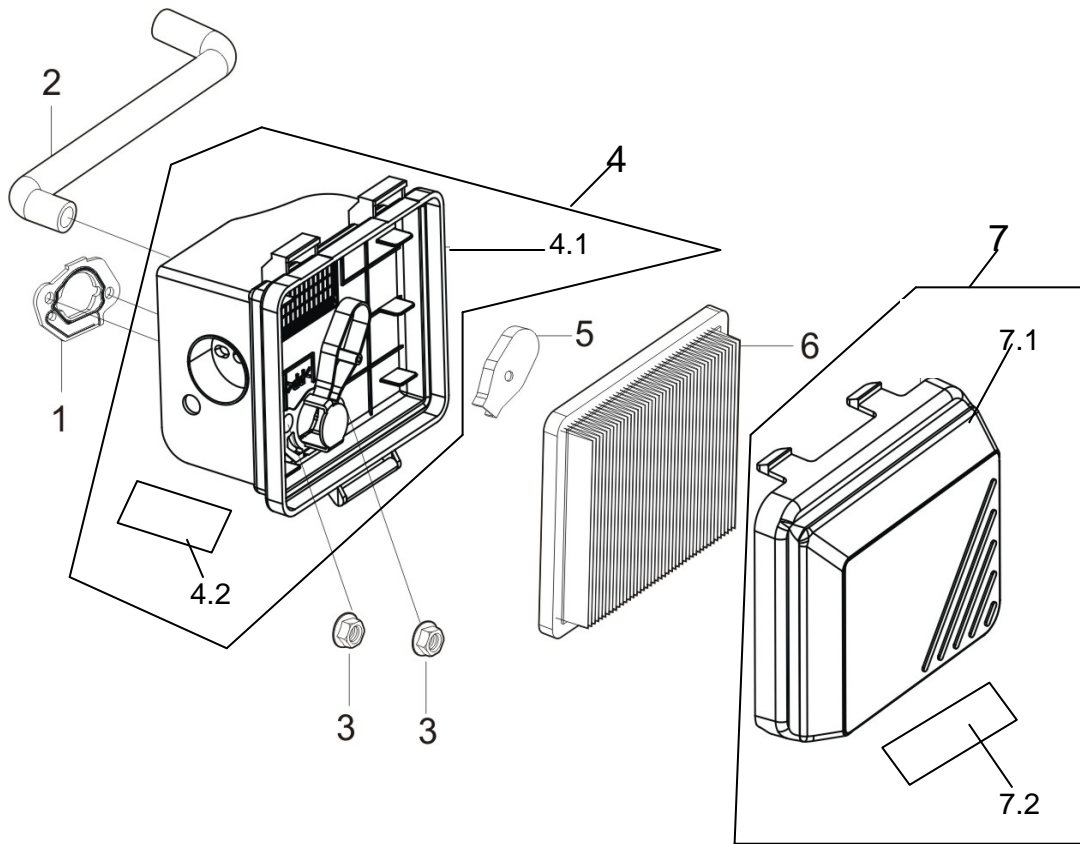
REF. NO.	DESCRIPTION	PART NO.	RQD
1	Gasket, Insulator	<i>Reference Only</i>	1
2	Spacer, Gasket	<i>Reference Only</i>	2
3	Gasket, Carburetor	<i>Reference Only</i>	3
4	Heat Shield, Carburetor	<i>Reference Only</i>	1
5	ASM, Carburetor	A201658	1
6	Kit, Carburetor Gasket (Incl. #1-4, 21,23,25)	A201659	1
7	ASM, Throttle Shaft	<i>Reference Only</i>	1
8	Ring, Seal	<i>Reference Only</i>	1
9	Screw, Air Purge	<i>Reference Only</i>	1
10	Spring, Tension	<i>Reference Only</i>	1
11	Screw, Air Adjustment	<i>Reference Only</i>	1
12	Nozzle, Main	<i>Reference Only</i>	1
13	Nozzle, Jet	<i>Reference Only</i>	1
14	Float	<i>Reference Only</i>	1
15	Valve, Float	<i>Reference Only</i>	1
16	Spring, Float	<i>Reference Only</i>	1
17	Pin, Fulcrum	<i>Reference Only</i>	1
18	Body, Carburetor	<i>Reference Only</i>	1
19	Fitting, Primer Inlet	<i>Reference Only</i>	1
20	Fitting, Fuel Inlet	<i>Reference Only</i>	1
21	Gasket, Float Bowl	<i>Reference Only</i>	1
22	Bowl, Float	<i>Reference Only</i>	1
23	Gasket, Drain Plug	<i>Reference Only</i>	1
24	Plug, Drain	<i>Reference Only</i>	1
25	Gasket, Bowl Retainer	<i>Reference Only</i>	1
26	Retainer, Bowl	<i>Reference Only</i>	1
27	Bulb, Primer	<i>Reference Only</i>	1
28	Body, Primer	<i>Reference Only</i>	1
29	Line, Primer Fuel	<i>Reference Only</i>	1
30	ASM, Primer Bulb	A201683	1
31	Clip, Fuel Line	<i>Reference Only</i>	2

Flywheel / Ignition



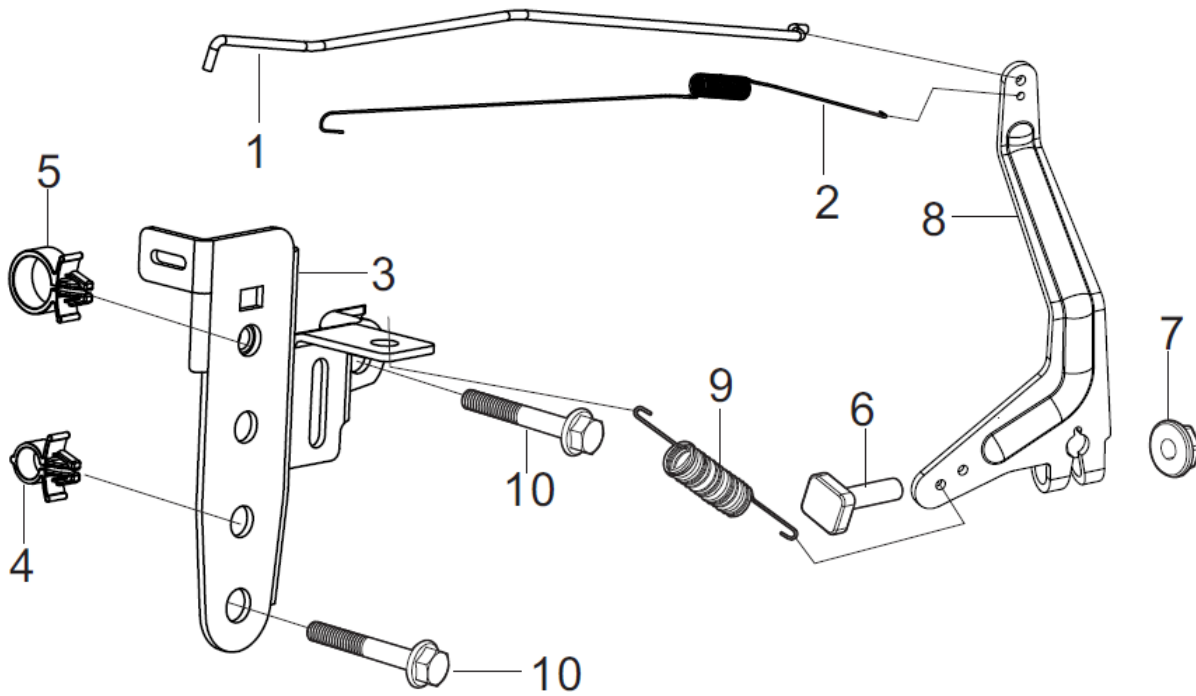
REF. NO.	DESCRIPTION	PART NO.	RQD
1	Nut, Flywheel	A201685	1
2	Fan, Flywheel	A201686	1
3	Flywheel	A201687	1
4	Bolt, Flange	A201688	2
5	Bolt, Crankcase Shield	A201689	1
6	Shield, Crankcase Side	A201690	1
7	Ground Wire, Engine Kill Switch	A201691	1
8	Switch, Engine Kill	A201692	1
9	Lead, Low Tension	A201693	1
10	Clip, Wire	A201694	2
11	Coil, Ignition	A201695	1

Air Cleaner



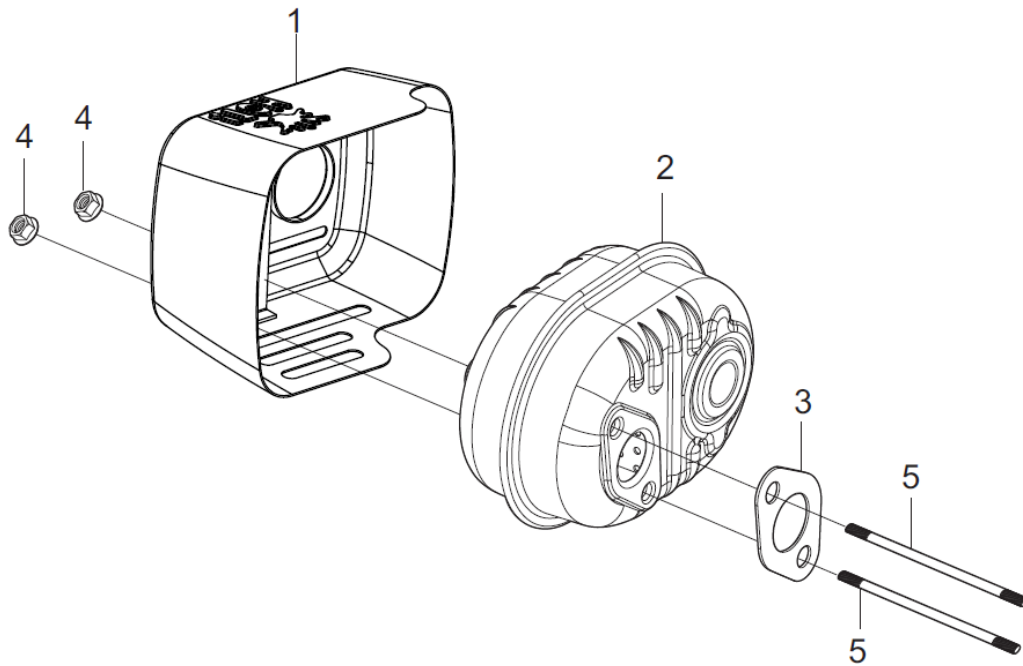
REF. NO.	DESCRIPTION	PART NO.	RQD
1	Gasket, Air Filter	A201696	1
2	Tube, Breather	A201697	1
3	Nut, M6	A201324	2
4	Kit, Air Filter Housing	A201763	1
4.1	Housing, Air Cleaner	<i>Reference Only</i>	1
4.2	Decal, Primer	A201759	1
5	Pap, Deflector	A201699	1
6	Element, Filter	A201700	1
7	Kit, Air Filter Cover	A201764	1
7.1	Cover, Air Filter	<i>Reference Only</i>	1
7.2	Decal, Air Filter Maintenance	A201754	1

Control



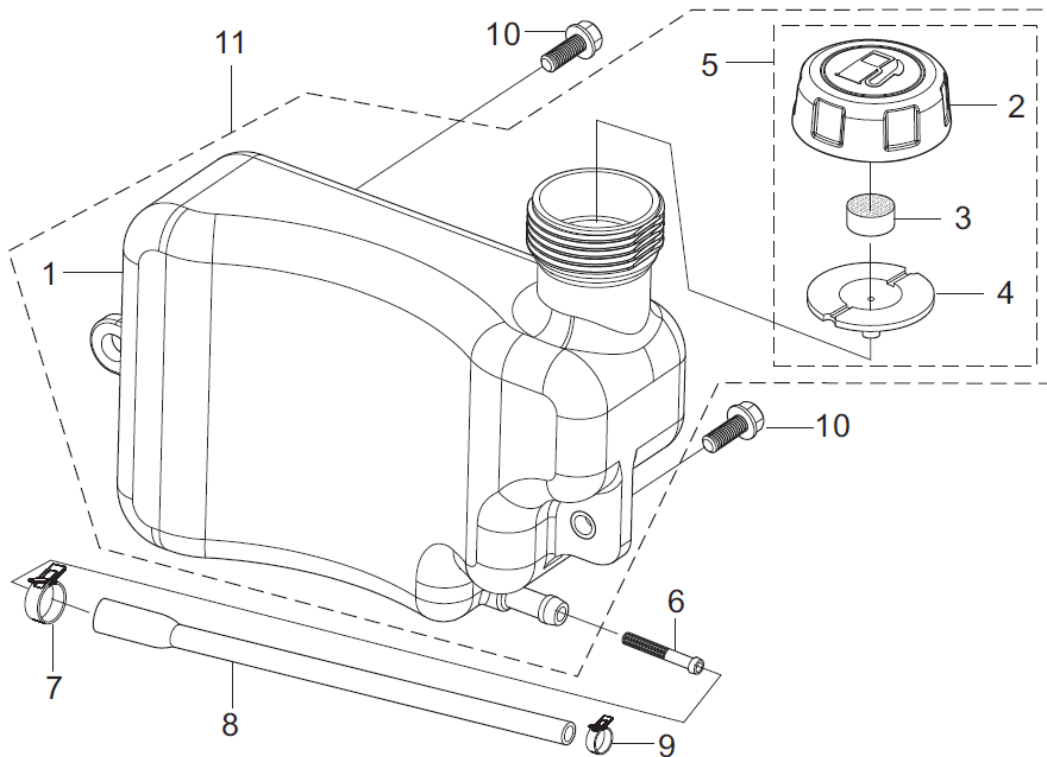
REF. NO.	DESCRIPTION	PART NO.	RQD
1	Rod, Governor	A201702	1
2	Spring, Throttle Return	A201703	1
3	Bracket, Throttle Control	A201704	1
4	Clip – 1	A201705	1
5	Clip – 2	A201706	1
6	Bolt, Governor Arm	A201707	1
7	Nut, Governor	A201708	1
8	Arm, Governor	A201709	1
9	Spring, Governor	A201710	1
10	Bolt, Throttle Control Bracket	A201711	2

Muffler



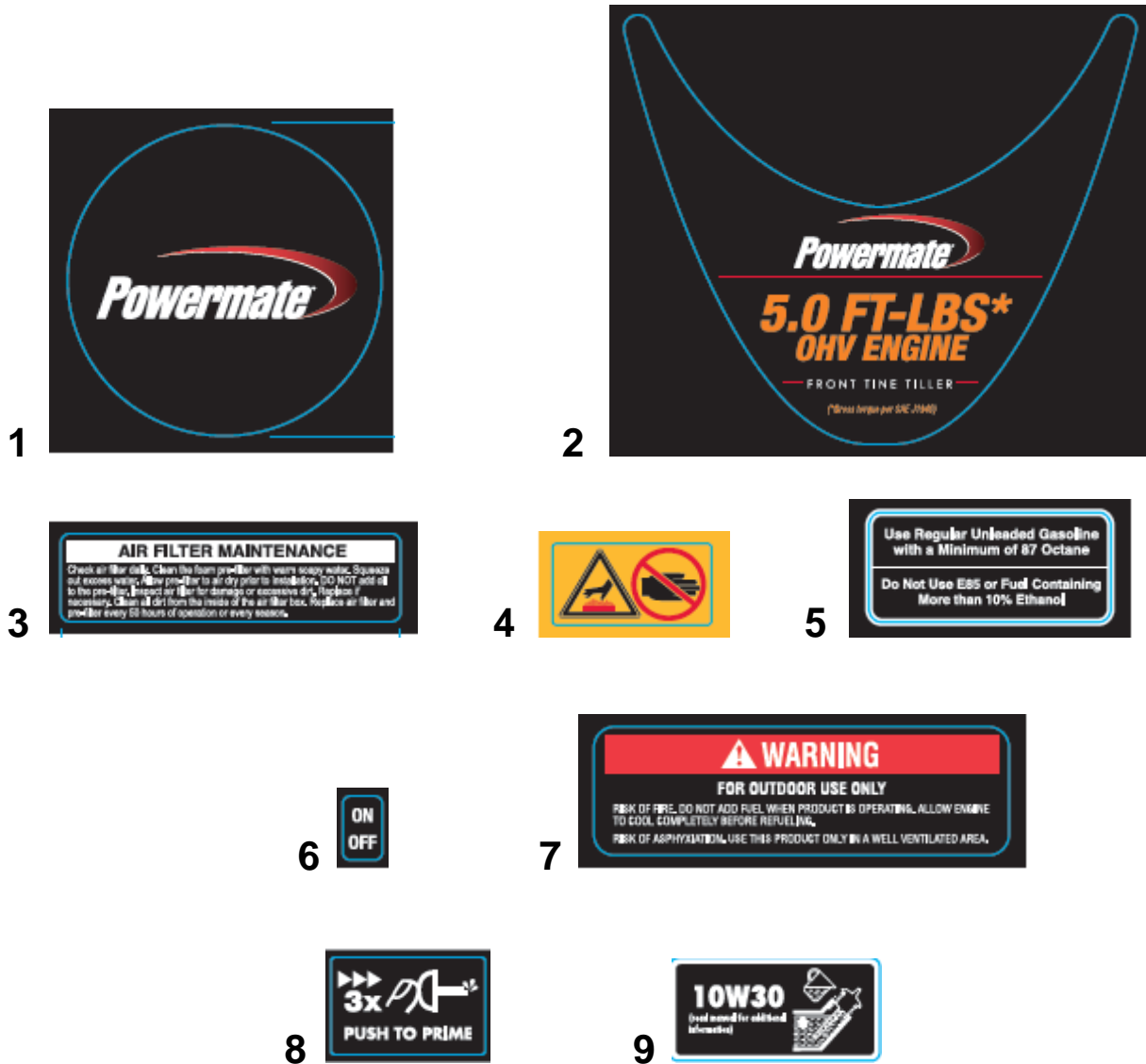
REF. NO.	DESCRIPTION	PART NO.	RQD
1	Shield, Muffler	A201712	1
2	ASM, Muffler	A201713	1
3	Gasket, Muffler	A201714	1
4	Nut, Muffler	A201715	2
5	Stud, Muffler	A201716	2

Fuel Tank



REF. NO.	DESCRIPTION	PART NO.	RQD
1	Tank, Fuel	A201717	1
2	Cap, Fuel	<i>Reference Only</i>	1
3	Filter, Fuel	<i>Reference Only</i>	1
4	Valve, Fuel	<i>Reference Only</i>	1
5	ASM, Fuel Cap	A201721	1
6	Filter, Fuel	A201722	1
7	Clamp, Fuel Line – 1	A201723	1
8	Line, Fuel	A201724	1
9	Clamp, Fuel Line – 2	A201725	1
10	Bolt, Tank Mounting	A201726	2
11	ASM, Fuel Tank	A201727	1

Decals



REF. NO.	DESCRIPTION	PART NO.	QTY
1	Decal, Brand	Reference Only	1
2	Decal, Spec	Reference Only	1
3	Decal, Air Filter Maintenance	Reference Only	1
4	Decal, Hot Surface Warning	A201755	1
5	Decal, Fuel Usage	A201756	1
6	Decal, On/Off	Reference Only	1
7	Decal, Outdoor Use Only Warning	A201758	1
8	Decal, Primer	Reference Only	1
9	Decal, Oil Fill	Reference Only	1
10	Kit, Engine Decal (# 1-9)	A201751	1

